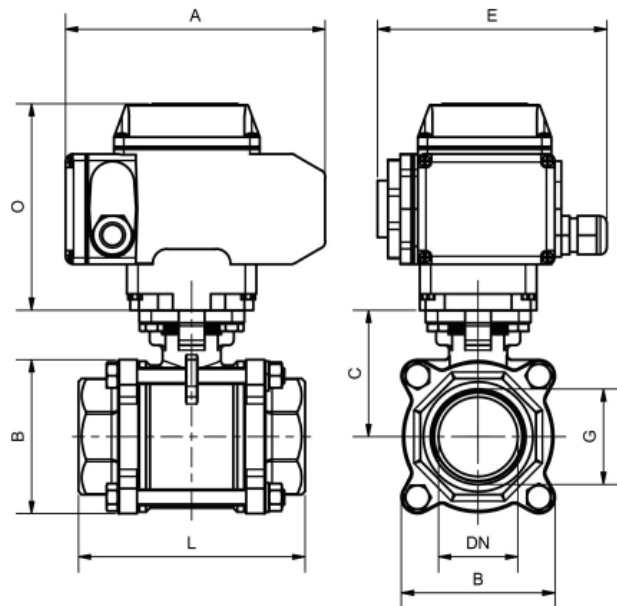
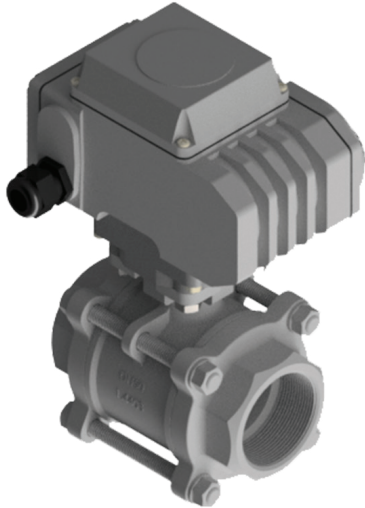


# 2-way ball valve Type BKKH with e-drive



## Range of application

Shut off and control of gaseous and liquid media for plant engineering, chemical- and pharmaceutical industry and water supply.

- Flange connection, full bore nominal pressure PN 16 – 40
- Length according to BK factory standard
- Operation flange ISO 5211/ Namur

Parts	Factory Standard
Body	1.4401
Ball	1.4401
Sealing	PTFE/ FKM

DN	AE	A	B	C	E	G	L	O
16	30	160	38	0	143	1/2"	75	127
20	30	160	46,5	44	143	3/4"	80	127
25	50	160	58	52	143	1"	90	127
32	50	160	66,5	58	143	1 1/4"	110	127
40	100	197	76	68	187	1 1/2"	120	158
50	100	197	90	77	187	2"	140	158
65	200	255	134	98	187	2 1/2"	185	196
80	200	255	161	110	187	3"	205	196
100	400	255	190	138	187	4"	240	196