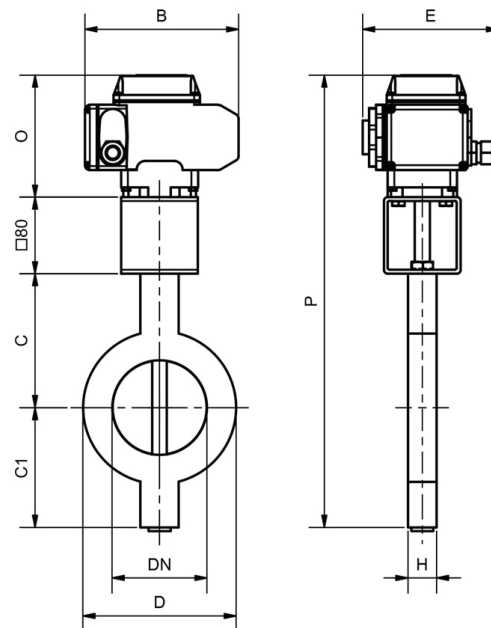
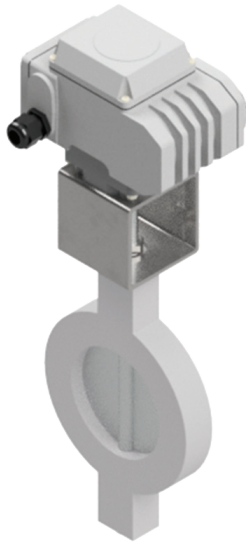


Control Valve, lightweight design Type BKL with e-drive



Range of application

Choke and control of gaseous and liquid media as well as bulk solids of all kinds for plant engineering, chemical-, pharmaceutical- and food industry, ventilation systems and water supply.

Product specification

A special feature of these butterfly valves is a shaft with low torque which is centrally positioned on bearings. The short construction enables minimum space requirements.

Butterfly valve, sandwich design

- Flange connection according to PN 6 / 10 / 16 or DIN 24154, EN 12220, other flange connections upon request
- Length according to BK factory standard or upon customer's request
- Temperature up to 1100° C

Parts	Factory Standard	Options
Body	St. 1.0570	Alu, GG, Stainless steel
Flap	St. 1.0038	Stainless steel, Hastelloy
Shaft	St. 50 K	Stainless steel, Hastelloy
Sealing	none	

DN	AE	B	C	C1	D	E	H	O	P
50	30	160	100	80	105	143	30	127	387
65	30	160	110	90	125	143	30	127	407
80	30	160	120	100	140	143	30	127	427
100	30	160	130	110	160	143	30	127	447
125	30	160	140	120	190	143	30	127	467
150	30	160	160	140	215	143	30	127	507
200	50	160	190	170	270	143	40	127	567
250	50	160	220	200	325	143	40	127	627
300	50	160	250	230	370	143	40	127	687
350	100	197	270	250	430	148	50	158	758
400	100	197	300	280	485	148	50	158	818
500	100	197	360	345	590	148	50	158	943