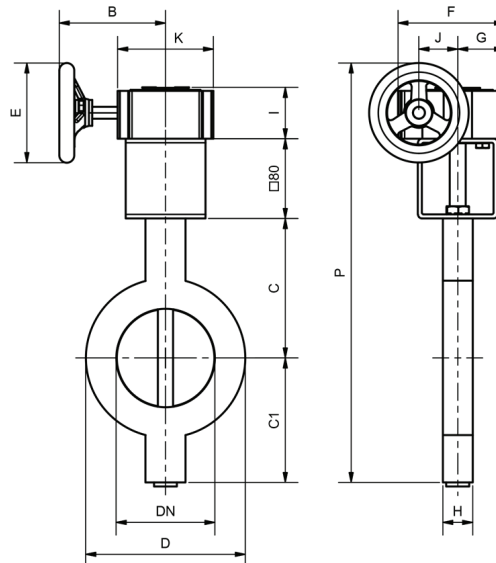
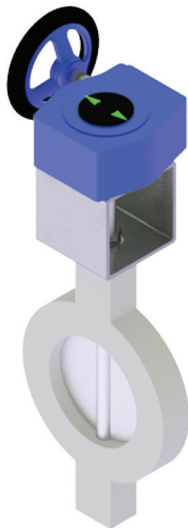


Control Valve, lightweight design Type BKL with gearbox



Range of application

Choke and control of gaseous and liquid media as well as bulk solids of all kinds for plant engineering, chemical-, pharmaceutical- and food industry, ventilation systems and water supply.

Product specification

A special feature of these butterfly valves is a shaft with low torque which is centrally positioned on bearings. The short construction enables minimum space requirements.

Butterfly valve, sandwich design

- Flange connection according to PN 6 / 10 / 16 or DIN 24154, EN 12220, other flange connections upon request
- Length according to BK factory standard or upon customer's request
- Temperature up to 1100° C

Parts	Factory Standard	Options
Body	St. 1.0570	Alu, GG, Stainless steel
Flap	St. 1.0038	Stainless steel, Hastelloy
Shaft	St. 50 K	Stainless steel, Hastelloy
Sealing	none	

DN	Gr.	B	C	C1	D	E	F	G	H	I	J	K	P
50	1	97	100	80	105	125	107	46	30	55	39	96	350
65	1	97	110	90	125	125	107	46	30	55	39	96	370
80	1	97	120	100	140	125	107	46	30	55	39	96	390
100	1	97	130	110	160	125	107	46	30	55	39	96	410
125	1	97	140	120	190	125	107	46	30	55	39	96	430
150	1	97	160	140	215	125	107	46	30	55	39	96	470
200	1	97	190	170	270	125	107	46	40	55	39	96	530
250	2	127	220	200	325	200	132	56	40	60	47	122	630
300	2	127	250	230	370	200	132	56	40	60	47	122	690
350	2	127	270	250	430	200	132	56	50	60	47	122	730
400	3	152	300	280	485	200	150	62	50	69	60	137	795
500	3	152	360	345	590	200	150	62	50	69	60	137	920