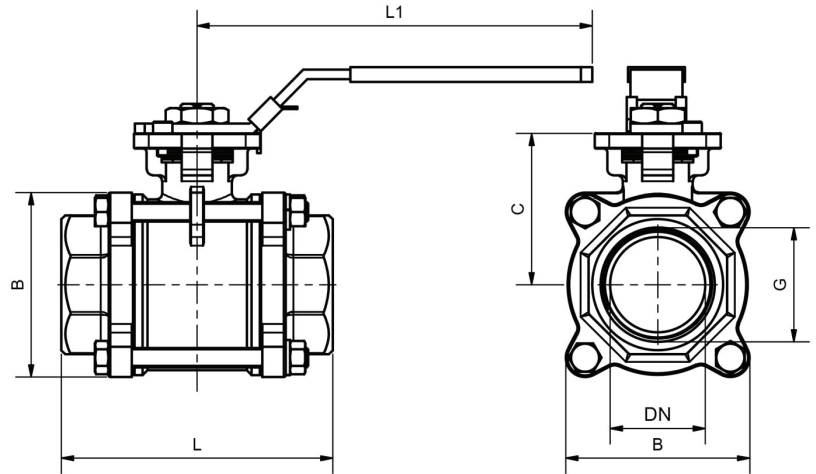
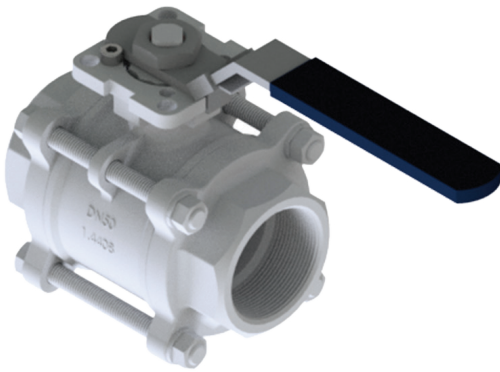


2-way ball valve Type BKKH with hand lever



Range of application

Shut off and control of gaseous and liquid media for plant engineering, chemical- and pharmaceutical industry and water supply.

- Flange connection, full bore nominal pressure PN 16 – 40
- Length according to BK factory standard
- Operation flange ISO 5211/ Namur

Parts	Factory Standard
Body	1.4401
Ball	1.4401
Sealing	PTFE/ FKM

DN	Gr.	B	C	G	L	L1
16	1	38	40	1/2"	75	165
20	1	46,5	44	3/4"	80	185
25	2	58	52	1"	90	200
32	2	66,5	58	1 1/4"	110	220
40	3	76	68	1 1/2"	120	250
50	3	90	77	2"	140	285
65	4	134	98	2 1/2"	185	340
80	4	161	110	3"	205	395
100	4	190	138	4"	240	445