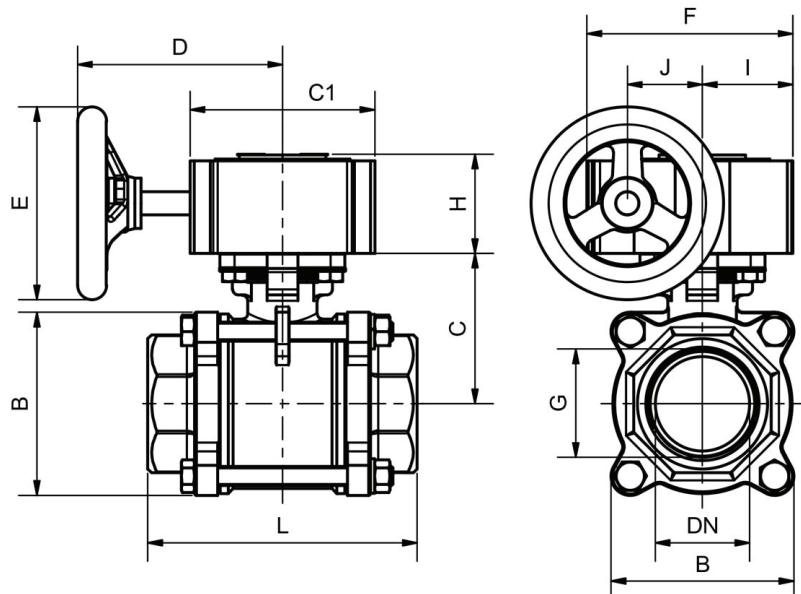


# 2-way ball valve Type BKKH with gearbox



## Range of application

Shut off and control of gaseous and liquid media for plant engineering, chemical- and pharmaceutical industry and water supply.

- Flange connection, full bore nominal pressure PN 16 – 40
- Length according to BK factory standard
- Operation flange ISO 5211/ Namur

Parts	Factory Standard
Body	1.4401
Ball	1.4401
Sealing	PTFE/ FKM

DN	Gr.	B	C	C1	D	E	F	G	H	I	J	L	L1
16	1	38	40	96	97	125	107	1/2"	55	46	39	75	165
20	1	46,5	44	96	97	125	107	3/4"	55	46	39	80	185
25	1	58	52	96	97	125	107	1"	55	46	39	90	200
32	1	66,5	58	96	97	125	107	1 1/4"	55	46	39	110	220
40	1	76	68	96	97	125	107	1 1/2"	55	46	39	120	250
50	1	90	77	96	97	125	107	2"	55	46	39	140	285
65	2	134	98	96	97	125	107	2 1/2"	55	46	39	185	340
80	2	161	110	96	97	125	107	3"	55	46	39	205	395
100	2	190	138	122	127	200	132	4"	60	56	47	240	445