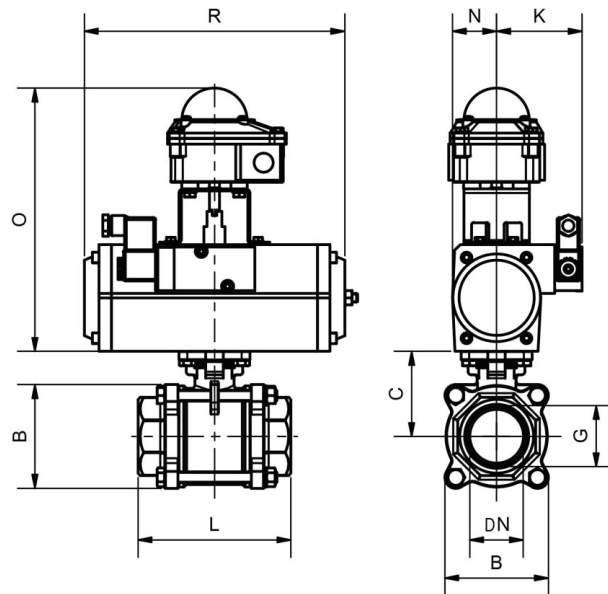
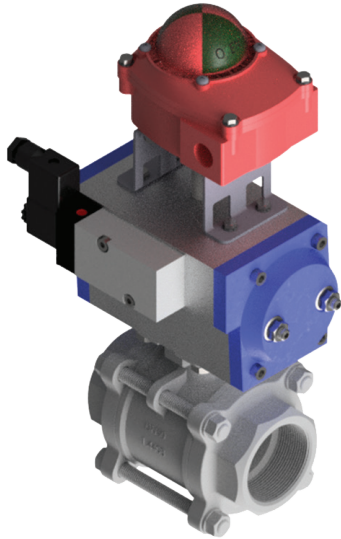


2-way ball valve Type BKKH with actuator UB*



Range of application

Shut off and control of gaseous and liquid media for plant engineering, chemical- and pharmaceutical industry and water supply.

*Option: Magnetic valve with limit switch

- Flange connection, full bore nominal pressure PN 16 – 40
- Length according to BK factory standard
- Operation flange ISO 5211/ Namur

| Parts | Factory Standard |
|---------|------------------|
| Body | 1.4401 |
| Ball | 1.4401 |
| Sealing | PTFE/ FKM |

| DN | UB MVEN | B | C | G | K | L | N | O | R |
|-----|------------|------|-----|--------|-----|-----|----|-----|-----|
| 16 | 15 | 38 | 40 | 1/2" | 73 | 75 | 33 | 224 | 166 |
| 20 | 15 | 46,5 | 44 | 3/4" | 73 | 80 | 33 | 224 | 166 |
| 25 | 17 | 58 | 52 | 1" | 73 | 90 | 33 | 224 | 196 |
| 32 | 17 | 66,5 | 58 | 1 1/4" | 73 | 110 | 33 | 224 | 196 |
| 40 | 20 | 76 | 68 | 1 1/2" | 78 | 120 | 41 | 241 | 177 |
| 50 | 25 | 90 | 77 | 2" | 78 | 140 | 41 | 241 | 239 |
| 65 | 30 | 134 | 98 | 2 1/2" | 88 | 185 | 51 | 260 | 230 |
| 80 | 35 | 161 | 110 | 3" | 90 | 205 | 65 | 298 | 247 |
| 100 | 45 | 190 | 138 | 4" | 103 | 240 | 73 | 321 | 349 |