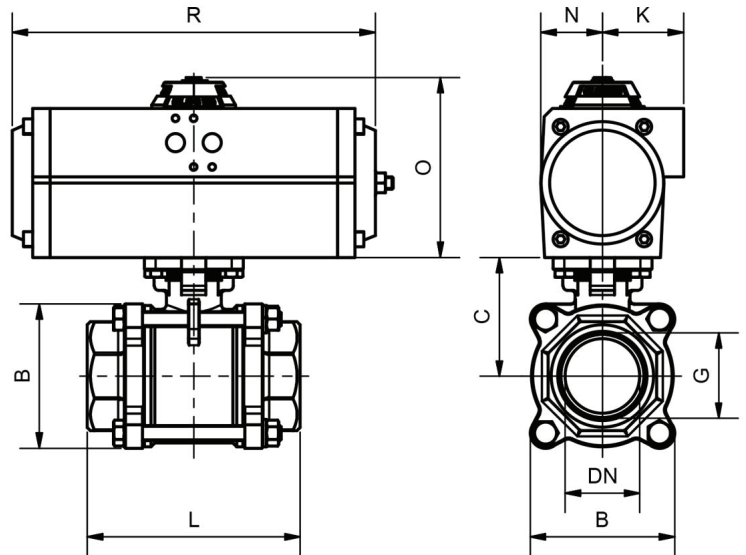


2-way ball valve Type BKKH with actuator



Range of application

Shut off and control of gaseous and liquid media for plant engineering, chemical- and pharmaceutical industry and water supply.

- Flange connection, full bore nominal pressure PN 16 – 40
- Length according to BK factory standard
- Operation flange ISO 5211/ Namur

Parts	Factory Standard
Body	1.4401
Ball	1.4401
Sealing	PTFE/ FKM

DN	UB	B	C	G	K	L	N	O	R
16	15	38	40	1/2"	48	75	33	102	166
20	15	46,5	44	3/4"	48	80	33	102	166
25	17	58	52	1"	47	90	33	102	196
32	17	66,5	58	1 1/4"	47	110	33	102	196
40	20	76	68	1 1/2"	53	120	41	118	177
50	25	90	77	2"	53	140	41	118	239
65	30	134	98	2 1/2"	63	185	33	137	230
80	35	161	110	3"	65	205	65	155	247
100	45	190	138	4"	75	240	73	167	347