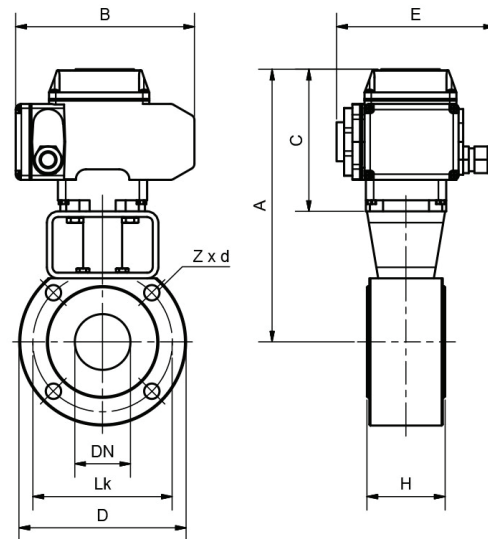
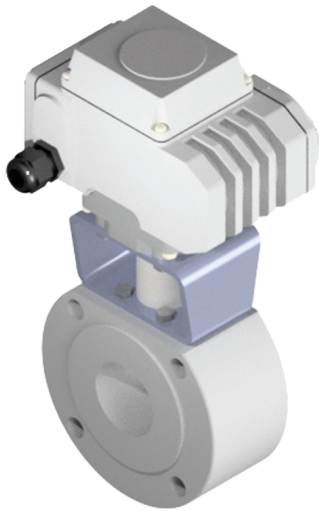


2-way compact ball valve Type BKKH with e-drive



Range of application

Shut off and control of gaseous and liquid media for plant engineering, chemical- and pharmaceutical industry and water supply.

- Flange connection, full bore nominal pressure PN 16 – 40
- Length according to BK factory standard
- Operation flange ISO 5211/ Namur

Parts	Factory Standard
Body	1.4401
Ball	1.4401
Sealing	PTFE/ FKM

DN	AE	A	B	C	D	E	H	Lk	Z x d
15	30	218	160	127	90	143	35	65	4 x M12
25	30	227	160	127	110	143	43	85	4 x M12
32	50	233	160	127	130	143	54	100	4 x M16
40	50	237	160	127	150	143	60	110	4 x M16
50	100	275	197	158	165	148	70	125	4 x M16
65	100	298	197	158	185	148	95	145	4 x M16
80	200	346	255	196	190	182	122	160	8 x M16
100	400	357	255	196	220	182	140	180	8 x M16
125	600	375	255	196	255	182	185	210	8 x M16
150	600	421	255	196	295	182	235	240	8 x M20
200	1000	492	310	212	365	240	315	295	12 x M20