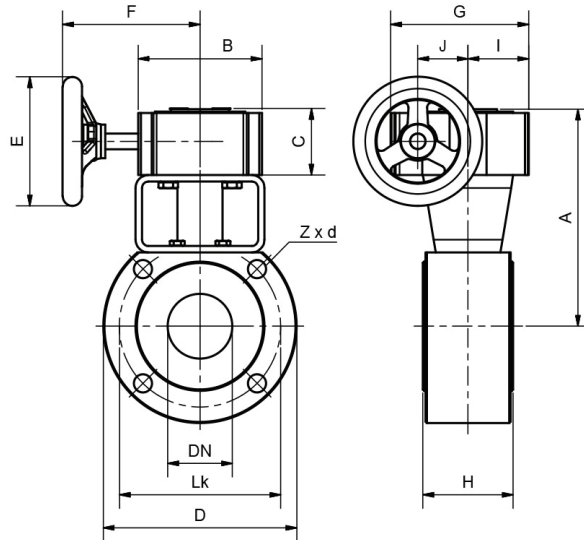
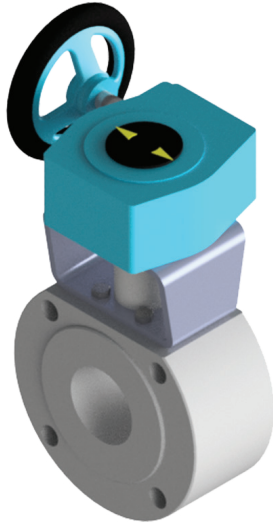


# 2-way compact ball valve Type BKKH with gearbox



## Range of application

Shut off and control of gaseous and liquid media for plant engineering, chemical- and pharmaceutical industry and water supply.

- Flange connection, full bore nominal pressure PN 16 – 40
- Length according to BK factory standard
- Operation flange ISO 5211/ Namur

Parts	Factory Standard
Body	1.4401
Ball	1.4401
Sealing	PTFE/ FKM

DN	Gr.	A	B	C	D	E	F	G	H	I	J	Lk	Z x d
15	1	146	96	55	90	125	97	107	35	46	43	65	4 x M12
25	1	155	96	55	110	125	97	107	43	46	43	85	4 x M12
32	1	161	96	55	130	125	97	107	54	46	43	100	4 x M16
40	1	165	96	55	150	125	97	107	60	46	43	110	4 x M16
50	1	172	96	55	165	125	97	107	70	46	43	125	4 x M16
65	2	200	122	60	185	200	127	132	95	56	50	145	4 x M16
80	2	210	122	60	190	200	127	132	122	56	50	160	8 x M16
100	3	221	137	60	220	200	187	150	140	62	60	180	8 x M16
125	4	258	146	79	255	200	217	174	185	79	80	210	8 x M16
150	4	304	146	79	295	200	217	174	235	79	80	240	8 x M20
200	5	366	175	86	365	200	297	209	315	83	80	295	12 x M20