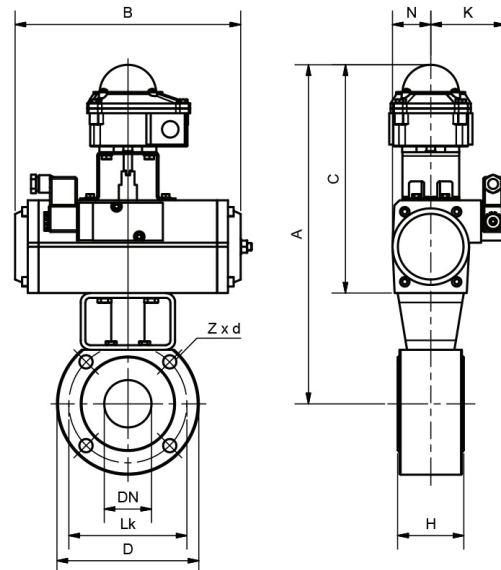
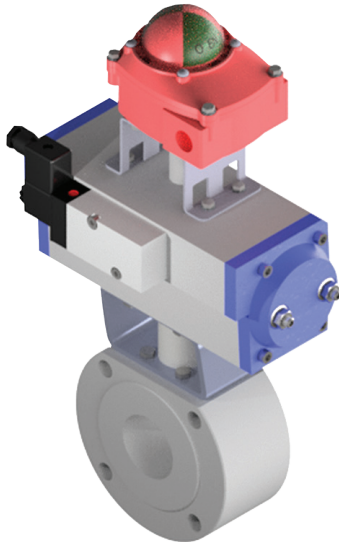


# 2-way compact ball valve Type BKKH with actuator UB\*



## Range of application

Shut off and control of gaseous and liquid media for plant engineering, chemical- and pharmaceutical industry and water supply.

\*Option: Magnetic valve with limit switch

- Flange connection, full bore nominal pressure PN 16 – 40
- Length according to BK factory standard
- Operation flange ISO 5211/ Namur

Parts	Factory Standard
Body	1.4401
Ball	1.4401
Sealing	PTFE/ FKM

DN	UB MVEN	A	B	C	D	H	K	Lk	N	Z x d
15	15	315	166	224	90	35	48	65	33	4 x M12
25	15	324	166	224	110	43	48	85	33	4 x M12
32	17	330	196	224	130	54	47	100	33	4 x M16
40	20	351	177	241	150	60	53	110	41	4 x M16
50	25	358	239	241	165	70	53	125	41	4 x M16
65	30	400	229	260	185	95	63	145	51	4 x M16
80	35	448	247	298	190	122	65	160	65	8 x M16
100	45	482	347	321	220	140	75	180	73	8 x M16
125	50	559	363	360	255	185	91	210	90	8 x M16
150	55	606	420	361	295	235	91	240	90	8 x M20
200	60	698	444	418	365	315	119	295	116	12 x M20