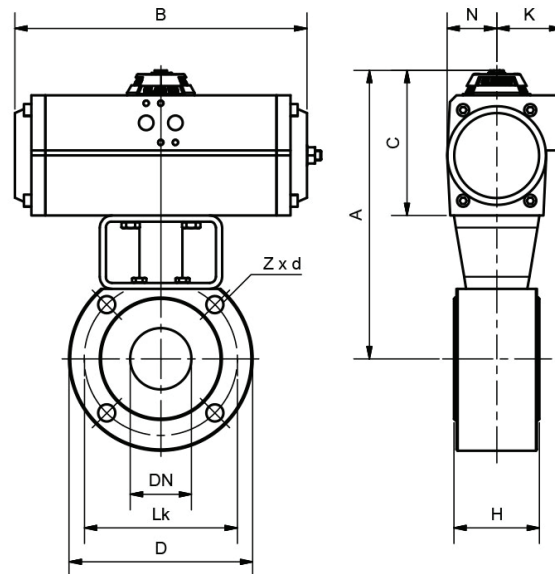
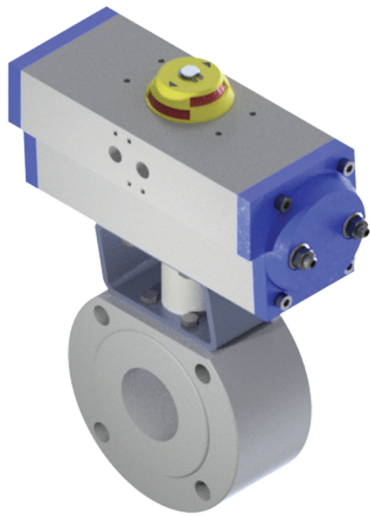


2-way compact ball valve Type BKKH with actuator



Range of application

Shut off and control of gaseous and liquid media for plant engineering, chemical- and pharmaceutical industry and water supply.

- Flange connection, full bore nominal pressure PN 16 – 40
- Length according to BK factory standard
- Operation flange ISO 5211/ Namur

Parts	Factory Standard
Body	1.4401
Ball	1.4401
Sealing	PTFE/ FKM

DN	UB	A	B	C	D	H	K	Lk	N	Z x d
15	15	193	166	102	90	35	48	65	33	4 x M12
25	15	202	166	102	110	43	48	85	33	4 x M12
32	17	208	196	102	130	54	47	100	33	4 x M16
40	20	228	177	118	150	60	53	110	41	4 x M16
50	25	235	239	118	165	70	53	125	41	4 x M16
65	30	277	229	137	185	95	63	145	51	4 x M16
80	35	305	247	155	190	122	65	160	65	8 x M16
100	45	328	347	167	220	140	75	180	73	8 x M16
125	50	423	363	224	255	185	91	210	90	8 x M16
150	55	469	420	224	295	235	91	240	90	8 x M20
200	60	575	444	295	365	315	119	295	116	12 x M20