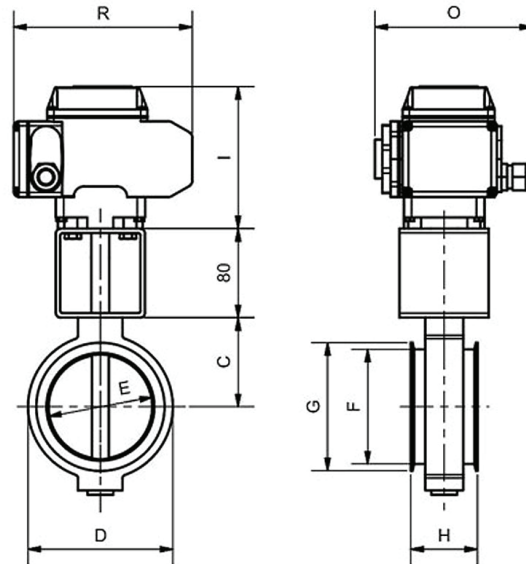
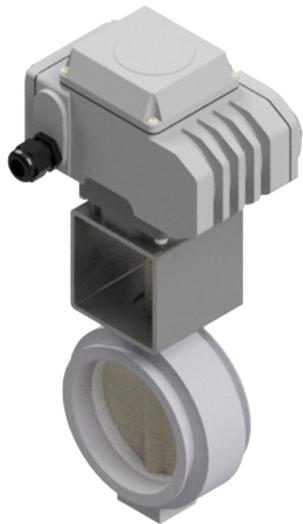


Butterfly Valve with seal Type BKLL with e-drive



Range of application

Shut-off and control of gaseous and liquid media as well as bulk solids of all kinds, e.g. powders, granules, fibres etc. for plant engineering, chemical-, pharmaceutical- and food industry and ventilation systems

Product specification

A special feature of these butterfly valves is a shaft with low torque which is centrally positioned on bearings. The short construction enables minimum space requirements and low weight.

- Tension ring groove (e.g. system Jacob) or flange connection according to DIN 24154, EN 12220
- Length according to BK factory standard
- Operation flange ISO 5211/ Namur

Parts	Factory Standard	Options
Body	Aluminium	St. 1.0570, GG, Stainless steel
Flap	Steel	Stainless steel, Alu, Hastelloy
Shaft	Steel	Stainless steel, Alu, Hastelloy
Sealing	NBR	EPDM, Vulkollan, Hypalon, Viton, Silicone, BUNA, ELL and PTFE

DN	AE	C	D	E	F	G	H	I	O	R
80	30	58	110	75	82	92	60	127	143	160
100	30	68	130	95	103	115	60	127	143	160
120	30	79	150	115	123	135	60	127	143	160
125	30	81	150	120	128	140	60	127	143	160
150	30	94	170	145	153	165	60	127	143	160
180	50	115	205	175	183	195	60	127	143	160
200	50	135	225	195	203	215	60	127	143	160
250	50	155	290	245	253	265	70	127	143	160
300	50	180	350	295	303	315	70	127	143	160
350	50	215	410	345	353	365	70	127	143	160
400	100	241	460	395	403	415	70	158	148	197
500	100	310	560	495	503	515	70	158	148	197