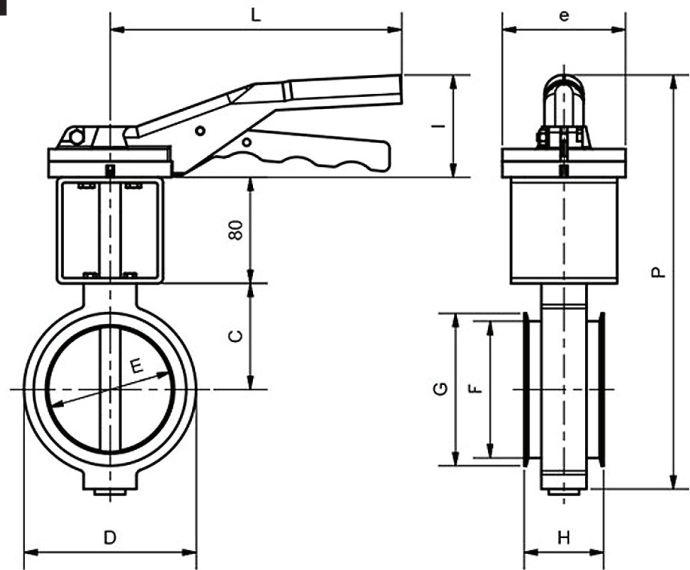
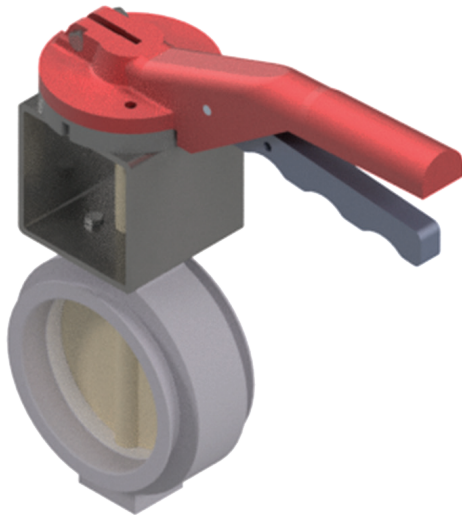


Butterfly Valve with seal Type BKLL with hand lever, engaged



Range of application

Shut-off and control of gaseous and liquid media as well as bulk solids of all kinds, e.g. powders, granules, fibres etc. for plant engineering, chemical-, pharmaceutical- and food industry and ventilation systems

Product specification

A special feature of these butterfly valves is a shaft with low torque which is centrally positioned on bearings. The short construction enables minimum space requirements and low weight.

- Tension ring groove (e.g. system Jacob) or flange connection according to DIN 24154, EN 12220
- Length according to BK factory standard
- Operation flange ISO 5211/ Namur

Parts	Factory Standard	Options
Body	Aluminium	St. 1.0570, GG, Stainless steel
Flap	Steel	Stainless steel, Alu, Hastelloy
Shaft	Steel	Stainless steel, Alu, Hastelloy
Sealing	NBR	EPDM, Vulkollan, Hypalon, Viton, Silicone, BUNA, ELL and PTFE

DN	Gr.	C	D	E	e	F	G	H	I	L	P
80	1	58	110	75	93	82	92	60	77	220	270
100	1	68	130	95	93	103	115	60	77	220	290
120	1	79	150	115	93	123	135	60	77	220	312
125	1	81	150	120	93	128	140	60	77	220	313
150	1	94	170	145	93	153	165	60	77	220	336
180	1	115	205	175	93	183	195	60	77	220	375
200	2	135	225	195	93	203	215	60	84	280	412
250	2	155	290	245	93	253	265	70	84	280	464
300	2	180	350	295	93	303	315	70	84	280	519
350	2	215	410	345	93	353	365	70	84	280	584
400	3	241	460	395	93	403	415	70	84	340	635
500	3	310	560	495	93	503	515	70	84	340	754