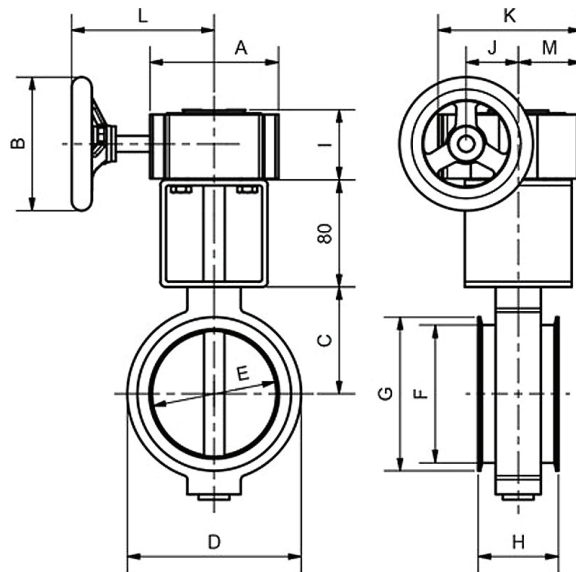
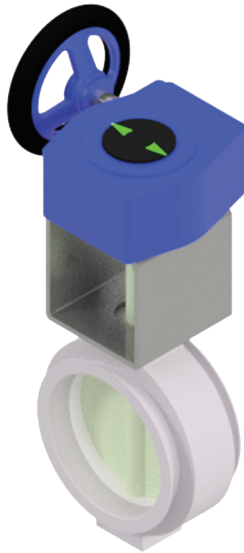


# Butterfly Valve with seal Type BKLL with gearbox



## Range of application

Shut-off and control of gaseous and liquid media as well as bulk solids of all kinds, e.g. powders, granules, fibres etc. for plant engineering, chemical-, pharmaceutical- and food industry and ventilation systems

## Product specification

A special feature of these butterfly valves is a shaft with low torque which is centrally positioned on bearings. The short construction enables minimum space requirements and low weight.

- Tension ring groove (e.g. system Jacob) or flange connection according to DIN 24154, EN 12220
- Length according to BK factory standard
- Operation flange ISO 5211/ Namur

Parts	Factory Standard	Options
Body	Aluminium	St. 1.0570, GG, Stainless steel
Flap	Steel	Stainless steel, Alu, Hastelloy
Shaft	Steel	Stainless steel, Alu, Hastelloy
Sealing	NBR	EPDM, Vulkollan, Hypalon, Viton, Silicone, BUNA, ELL and PTFE

DN	Gr.	A	B	C	D	E	F	G	H	I	J	K	L	M
80	1	96	125	58	110	75	82	92	60	55	46	107	97	46
100	1	96	125	68	130	95	103	115	60	55	46	107	97	46
120	1	96	125	79	150	115	123	135	60	55	46	107	97	46
125	1	96	125	81	150	120	128	140	60	55	46	107	97	46
150	1	96	125	94	170	145	153	165	60	55	46	107	97	46
180	1	96	125	115	205	175	183	195	60	55	46	107	97	46
200	1	96	125	135	225	195	203	215	60	55	46	107	97	46
250	2	122	200	155	290	245	253	265	70	60	56	132	127	56
300	2	122	200	180	350	295	303	315	70	60	56	132	127	56
350	2	122	200	215	410	345	353	365	70	60	56	132	127	56
400	3	137	300	241	460	395	403	415	70	69	62	150	152	62
500	3	137	300	310	560	495	503	515	70	69	62	150	152	62