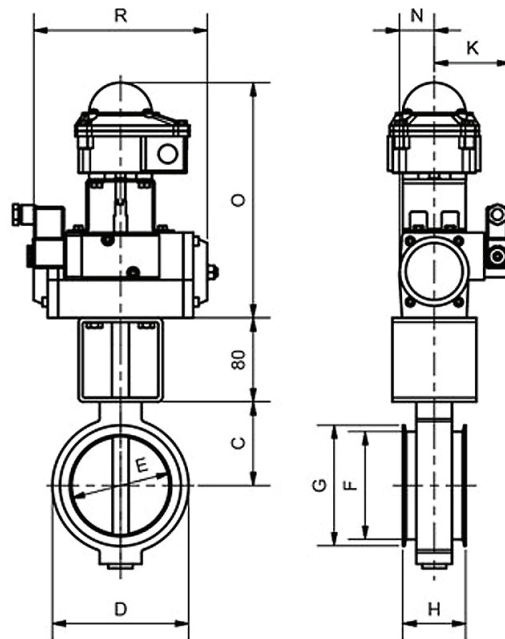
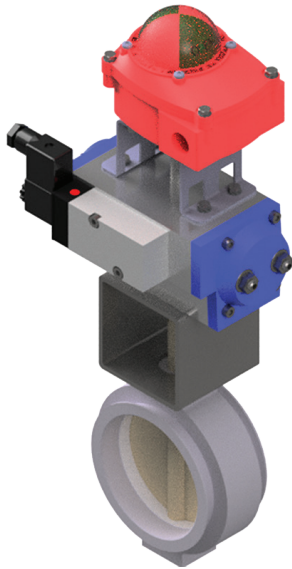


Butterfly Valve with seal Type BKLL with actuator UB*



Range of application

Shut-off and control of gaseous and liquid media as well as bulk solids of all kinds, e.g. powders, granules, fibres etc. for plant engineering, chemical-, pharmaceutical- and food industry and ventilation systems

Product specification

A special feature of these butterfly valves is a shaft with low torque which is centrally positioned on bearings. The short construction enables minimum space requirements and low weight.

*Option: Magnetic valve with limit switch

- Tension ring groove (e.g. system Jacob) or flange connection according to DIN 24154, EN 12220
- Length according to BK factory standard
- Operation flange ISO 5211/ Namur

Parts	Factory Standard	Options
Body	Aluminium	St. 1.0570, GG, Stainless steel
Flap	Steel	Stainless steel, Alu, Hastelloy
Shaft	Steel	Stainless steel, Alu, Hastelloy
Sealing	NBR	EPDM, Vulkollan, Hypalon, Viton, Silicone, BUNA, ELL and PTFE

DN	UB MVEN	C	D	E	F	G	H	K	N	O	R
80	15	58	110	75	82	92	60	73	33	224	166
100	15	68	130	95	103	115	60	73	33	224	166
120	15	79	150	115	123	135	60	73	33	224	166
125	15	81	150	120	128	140	60	73	33	224	166
150	17	94	170	145	153	165	60	73	33	224	196
180	17	115	205	175	183	195	60	73	33	224	196
200	17	135	225	195	203	215	60	73	33	224	196
250	20	155	290	245	253	165	70	78	40	241	177
300	20	180	350	295	303	315	70	78	40	241	177
350	25	215	410	345	353	365	70	78	40	241	239
400	25	241	460	395	403	415	70	78	40	241	239