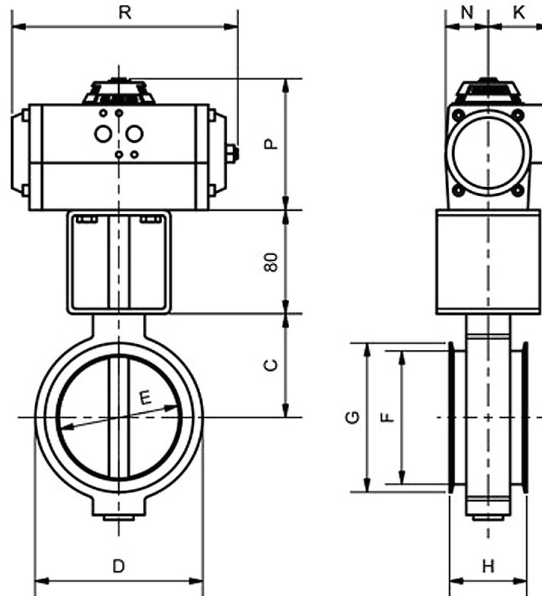
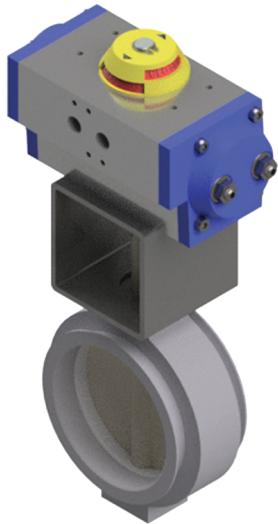


# Butterfly Valve with seal Type BKLL with actuator



## Range of application

Shut-off and control of gaseous and liquid media as well as bulk solids of all kinds, e.g. powders, granules, fibres etc. for plant engineering, chemical-, pharmaceutical- and food industry and ventilation systems

## Product specification

A special feature of these butterfly valves is a shaft with low torque which is centrally positioned on bearings. The short construction enables minimum space requirements and low weight.

- Tension ring groove (e.g. system Jacob) or flange connection according to DIN 24154, EN 12220
- Length according to BK factory standard
- Operation flange ISO 5211/ Namur

Parts	Factory Standard	Options
Body	Aluminium	St. 1.0570, GG, Stainless steel
Flap	Steel	Stainless steel, Alu, Hastelloy
Shaft	Steel	Stainless steel, Alu, Hastelloy
Sealing	NBR	EPDM, Vulkollan, Hypalon, Viton, Silicone, BUNA, ELL and PTFE

DN	UB	C	E	D	H	K	N	O	P	R	G	F
80	15	58	75	110	60	84	36	102	362	166	92	82
100	15	68	95	130	60	84	36	102	382	166	115	103
120	15	79	115	150	60	84	36	102	402	166	135	123
125	15	81	120	150	60	84	36	102	422	166	140	128
150	17	94	145	170	60	50	36	102	442	196	165	153
180	17	115	175	205	60	50	36	102	482	196	195	183
200	17	135	195	225	60	50	36	102	542	196	215	203
250	20	155	245	290	70	55	45	118	618	177	265	253
300	20	180	295	350	70	55	45	118	678	177	315	303
350	25	215	345	410	70	55	45	118	718	239	365	353
400	25	241	395	460	70	55	45	118	778	239	415	403
500	30	310	495	560	70	72	65	137	922	230	515	503