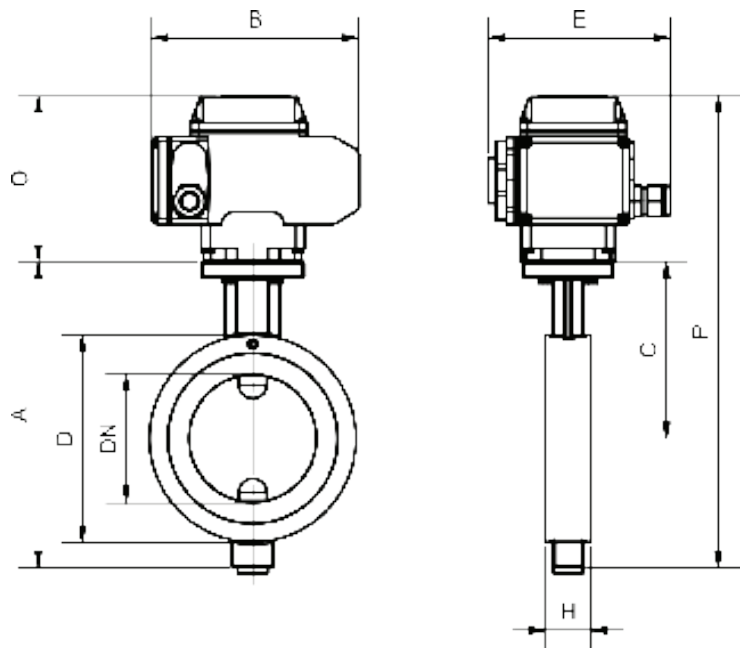
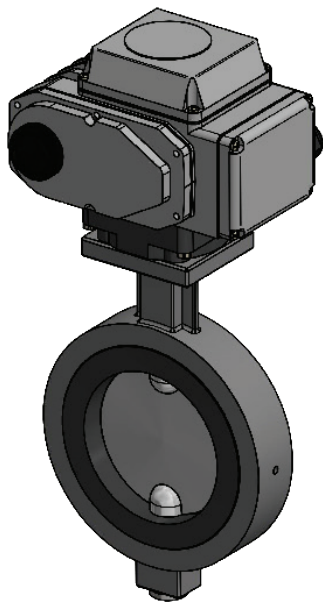


# Butterfly valve sandwich design Type BKRI mit electric drive



## Range of application

Shut-off and control of gaseous and liquid media as well as bulk solids of all kinds, e.g. powders, granules, fibres etc. for plant engineering, construction of vehicles, chemical-, pharmaceutical- and food industry, ventilation systems and water supply.

## Product specification

A special feature of these butterfly valves is a shaft with low torque which is centrally positioned on bearings. The short construction enables minimum space requirements and low weight.

- Flange connection according to PN 10/16 bore hole or thread, other flange connections upon request
- Length according to BK factory standard and DIN 3202 K1
- Operation flange ISO 5211/Namur
- Tightly closing according to DIN EN 12266-1
- sealing elements replaceable

Parts	Factory Standard	Options
Body	Aluminium	St. 1.0570, GG, Stainless steel
Flap	Steel	Stainless steel, Alu, Hastelloy
Shaft	Steel	Stainless steel, Alu, Hastelloy
Sealing	NBR	EPDM, Vulkollan, Hypalon, Viton, Silicone, BUNA, ELL and PTFE

DN	AE	A	B	C	D	E	H	O	P
50	30	178	160	108	105	143	35	127	305
65	30	201	160	121	125	143	35	127	328
80	50	224	160	134	140	143	35	127	351
100	50	237	160	137	160	143	35	127	364
125	100	289	197	169	190	148	41	158	447
150	100	318	197	175	215	148	41	158	476
200	200	385	255	215	270	187	51	196	581
250	200	453	255	255	325	187	66	196	649
300	400	505	255	285	370	187	66	196	701
350	400	575	255	325	430	187	66	196	771
400	600	628	255	350	485	187	66	196	824
500	600	715	255	390	590	187	75	196	911