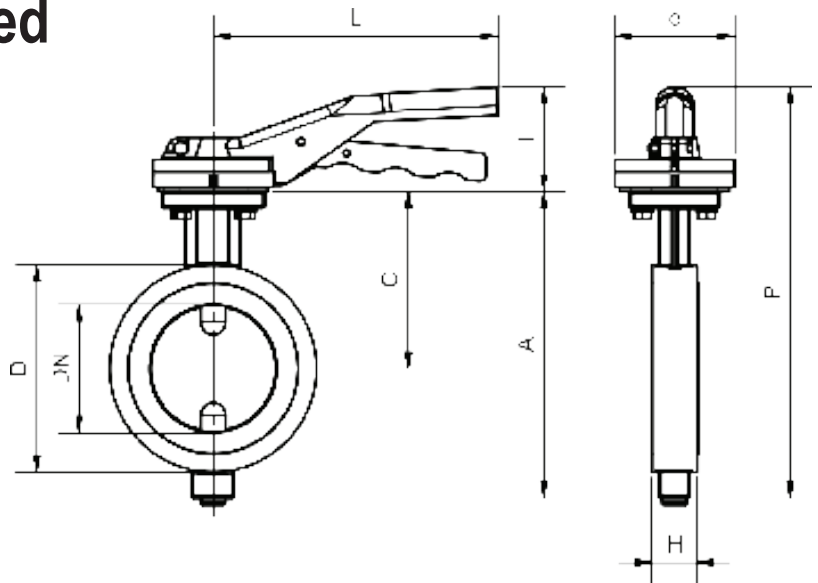
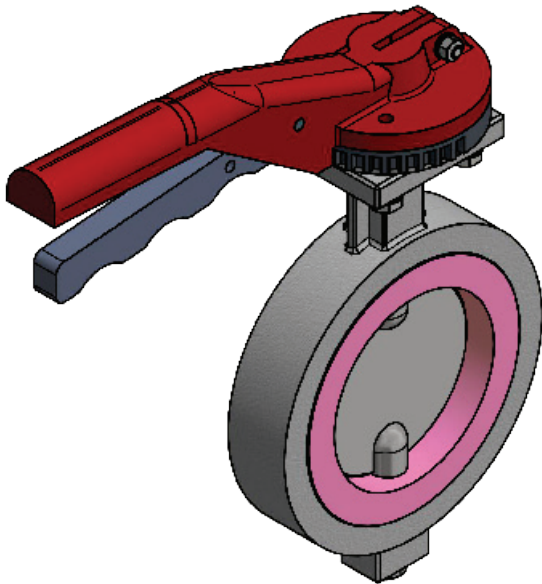


Butterfly valve sandwich design Type BKRI with hand lever, engaged



Range of application

Shut-off and control of gaseous and liquid media as well as bulk solids of all kinds, e.g. powders, granules, fibres etc. for plant engineering, construction of vehicles, chemical-, pharmaceutical- and food industry, ventilation systems and water supply.

Product specification

A special feature of these butterfly valves is a shaft with low torque which is centrally positioned on bearings. The short construction enables minimum space requirements and low weight.

- Flange connection according to PN 10/16 bore hole or thread, other flange connections upon request
- Length according to BK factory standard and DIN 3202 K1
- Operation flange ISO 5211/Namur
- Tightly closing according to DIN EN 12266-1
- sealing elements replaceable

Parts	Factory Standard	Options
Body	Aluminium	St. 1.0570, GG, Stainless steel
Flap	Steel	Stainless steel, Alu, Hastelloy
Shaft	Steel	Stainless steel, Alu, Hastelloy
Sealing	NBR	EPDM, Vulkollan, Hypalon, Viton, Silicone, BUNA, ELL and PTFE

DN	Gr.	A	C	D	e	H	I	L	P
50	1	178	108	105	93	35	77	220	255
65	1	201	121	125	93	35	77	220	278
80	1	224	134	140	93	35	77	220	301
100	1	237	137	160	93	35	77	220	314
125	1	289	169	190	93	41	77	220	366
150	1	318	175	215	93	41	77	220	395
200	1	385	215	270	93	51	77	220	462
250	2	453	255	325	93	66	84	280	537
300	2	505	285	370	93	66	84	280	589
350	2	575	325	430	93	66	84	280	659
400	3	628	350	485	120	66	84	340	712
500	3	715	390	590	120	75	84	340	799