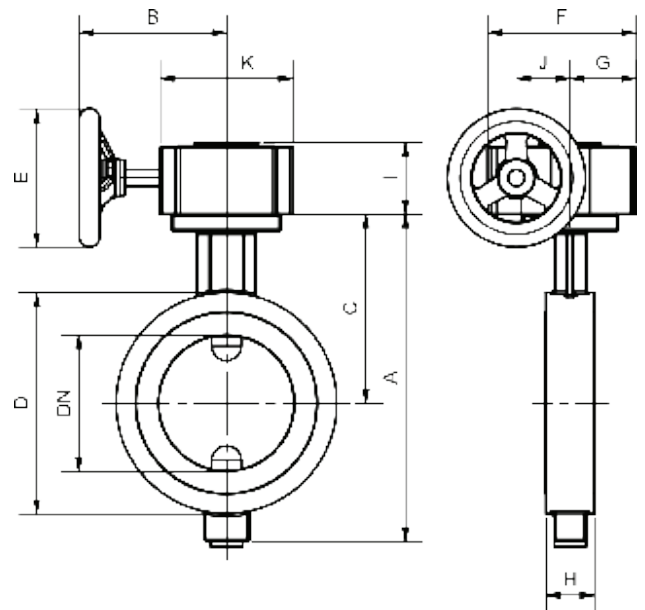
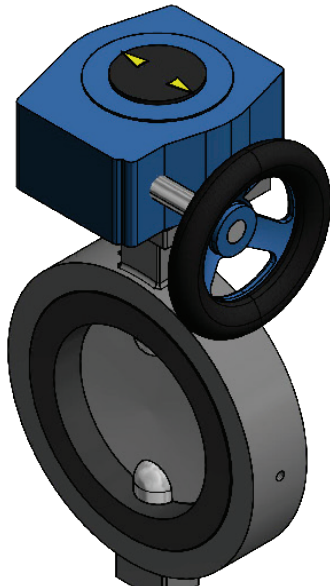


Butterfly valve sandwich design Typ BKRI with gearbox



Range of application

Shut-off and control of gaseous and liquid media as well as bulk solids of all kinds, e.g. powders, granules, fibres etc. for plant engineering, construction of vehicles, chemical-, pharmaceutical- and food industry, ventilation systems and water supply.

Product specification

A special feature of these butterfly valves is a shaft with low torque which is centrally positioned on bearings. The short construction enables minimum space requirements and low weight.

- Flange connection according to PN 10/16 bore hole or thread, other flange connections upon request
- Length according to BK factory standard and DIN 3202 K1
- Operation flange ISO 5211/Namur
- Tightly closing according to DIN EN 12266-1
- sealing elements replaceable

Parts	Factory Standard	Options
Body	Aluminium	St. 1.0570, GG, Stainless steel
Flap	Steel	Stainless steel, Alu, Hastelloy
Shaft	Steel	Stainless steel, Alu, Hastelloy
Sealing	NBR	EPDM, Vulkollan, Hypalon, Viton, Silicone, BUNA, ELL and PTFE

DN	Gr.	A	B	C	D	E	F	G	H	I	J	K
50	1	178	97	108	105	125	107	46	35	55	39	96
65	1	201	97	121	125	125	107	46	35	55	39	96
80	1	224	97	134	140	125	107	46	35	55	39	96
100	1	237	97	137	160	125	107	46	35	55	39	96
125	1	289	97	169	190	125	107	46	41	55	39	96
150	2	318	127	175	215	200	132	56	41	60	47	122
200	2	385	127	215	270	200	132	56	51	60	47	122
250	3	453	152	255	325	200	150	62	66	60	60	137
300	3	505	152	285	370	200	150	62	66	60	60	137
350	3	575	171	325	430	200	150	62	66	60	60	137
400	3	628	171	350	485	200	150	62	66	60	60	137
500	4	715	171	390	590	315	190	79	75	69	76	175