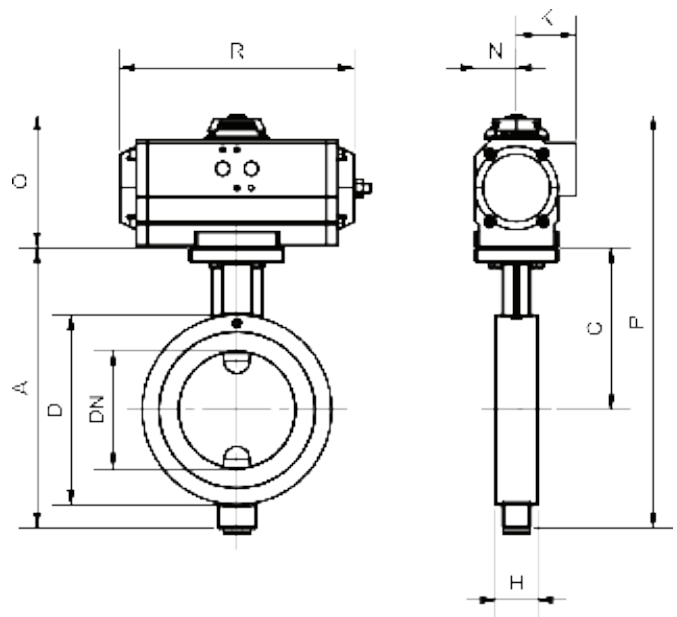
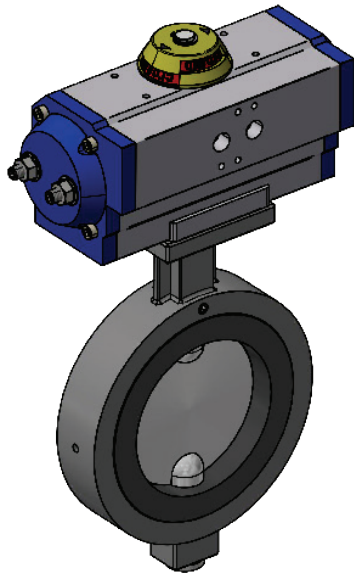


Butterfly valve sandwich design Typ BKRI with actuator



Range of application

Shut-off and control of gaseous and liquid media as well as bulk solids of all kinds, e.g. powders, granules, fibres etc. for plant engineering, construction of vehicles, chemical-, pharmaceutical- and food industry, ventilation systems and water supply.

Product specification

A special feature of these butterfly valves is a shaft with low torque which is centrally positioned on bearings. The short construction enables minimum space requirements and low weight.

- Flange connection according to PN 10/16 bore hole or thread, other flange connections upon request
- Length according to BK factory standard and DIN 3202 K1
- Operation flange ISO 5211/Namur
- Tightly closing according to DIN EN 12266-1
- sealing elements replaceable

Parts	Factory Standard	Options
Body	Aluminium	St. 1.0570, GG, Stainless steel
Flap	Steel	Stainless steel, Alu, Hastelloy
Shaft	Steel	Stainless steel, Alu, Hastelloy
Sealing	NBR	EPDM, Vulkollan, Hypalon, Viton, Silicone, BUNA, ELL and PTFE

DN	UB	A	C	D	H	K	N	O	P	R
50	15	178	108	105	35	48	33	102	280	166
65	15	201	121	125	35	48	33	102	303	166
80	15	224	134	140	35	48	33	102	326	166
100	17	237	137	160	35	47	33	102	339	196
125	20	289	169	190	41	53	41	118	407	177
150	25	318	175	215	41	53	41	118	436	239
200	30	385	215	270	51	63	51	137	522	229
250	40	453	255	325	66	65	65	175	628	291
300	45	505	285	370	66	75	73	187	692	347
350	50	575	325	430	66	91	90	224	799	363
400	55	628	350	485	66	91	90	224	852	420
500	60	715	390	590	75	119	116	295	1010	444