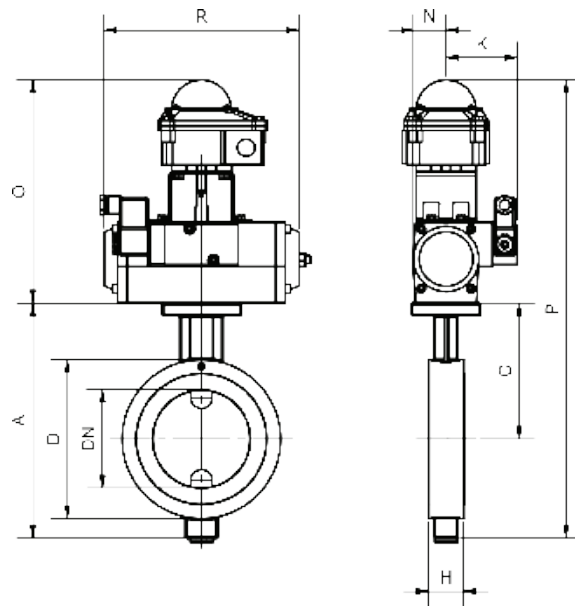
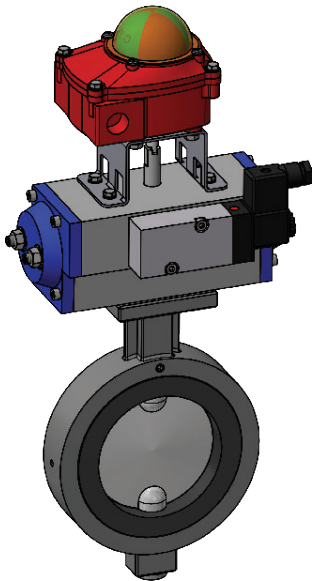


# Butterfly valve sandwich design Typ BKRI with actuator UB\*



## Range of application

Shut-off and control of gaseous and liquid media as well as bulk solids of all kinds, e.g. powders, granules, fibres etc. for plant engineering, construction of vehicles, chemical-, pharmaceutical- and food industry, ventilation systems and water supply.

## Product specification

A special feature of these butterfly valves is a shaft with low torque which is centrally positioned on bearings. The short construction enables minimum space requirements and low weight.

\*Option: Magnetic valve with limit switch

- Flange connection according to PN 10/16 bore hole or thread, other flange connections upon request
- Length according to BK factory standard and DIN 3202 K1
- Operation flange ISO 5211/Namur
- Tightly closing according to DIN EN 12266-1
- sealing elements replaceable

Parts	Factory Standard	Options
Body	Aluminium	St. 1.0570, GG, Stainless steel
Flap	Steel	Stainless steel, Alu, Hastelloy
Shaft	Steel	Stainless steel, Alu, Hastelloy
Sealing	NBR	EPDM, Vulkollan, Hypalon, Viton, Silicone, BUNA, ELL and PTFE

DN	UB MVEN	A	C	D	H	K	N	O	P	R
50	15	178	108	105	35	73	33	224	402	165
65	15	201	121	125	35	73	33	224	425	165
80	15	224	134	140	35	73	33	224	448	165
100	17	237	137	160	35	73	33	224	461	196
125	20	289	169	190	41	78	40	241	530	177
150	25	318	175	215	41	78	40	241	559	239
200	30	385	215	270	51	88	51	260	645	228
250	40	453	255	325	66	98	65	309	762	401
300	45	505	285	370	66	103	73	321	826	351
350	50	575	325	430	66	119	91	360	935	361
400	55	628	350	485	66	119	91	361	989	418
500	60	715	390	590	75	144	116	418	1133	444