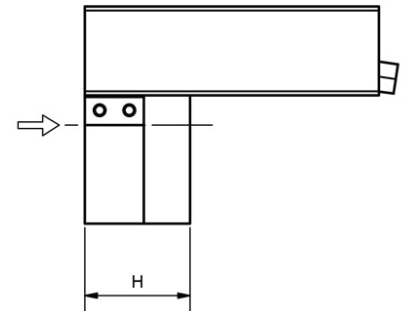
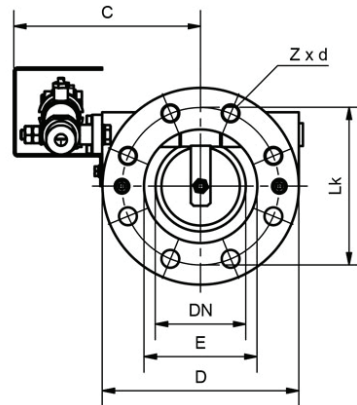
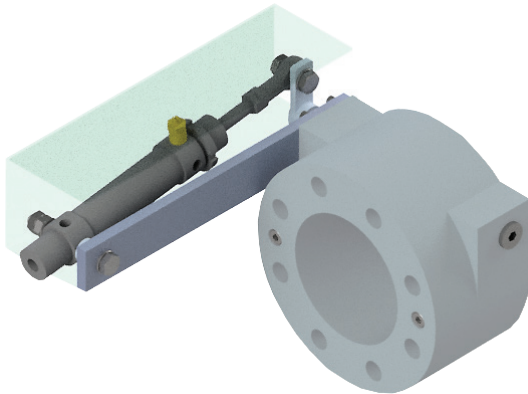


Flange return valve Type BKRK with compensating cylinder



Range of application

Shut-off and control of gaseous and liquid media as well as bulk solids of all kinds, e.g. powders, granules, fibres etc. for plant engineering, chemical-, pharmaceutical- and food industry.

- Flange connection according to PN 6,10,16, bore hole, other flange connections upon request
- Length according to BK factory standard
- Tightly closing according to DIN 3230, sealing elements replaceable
- Driving mode: automatic drive with compensating cylinder or infinitely adjustable counter weight

Parts	Factory Standard	Options
Body	Aluminium	St. 1.0570, GG, Stainless steel
Flap	Steel	Stainless steel, Alu, Hastelloy
Shaft	Steel	Stainless steel, Alu, Hastelloy
Sealing	NBR	EPDM, Vulkollan, Hypalon, Viton, Silicone, BUNA, ELL and PTFE

DN	C	D	d2	E	H	Lk	Z
50	180	165	18	70	100	125	4
65	180	185	18	90	100	145	4
80	180	200	18	115	100	160	8
100	190	220	18	140	120	180	8
125	200	250	18	165	130	210	8